

Concept Washbasin Pillar Taps

ILLUSTRATED

B9925 Concept washbasin pillar taps

ILLUSTRATED PRODUCT DETAILS

Weights

B9925 1.63 KG

Materials

B9925 Chrome Plated Brass

Finishes

B9925  Chrome (AA)

Flow rates

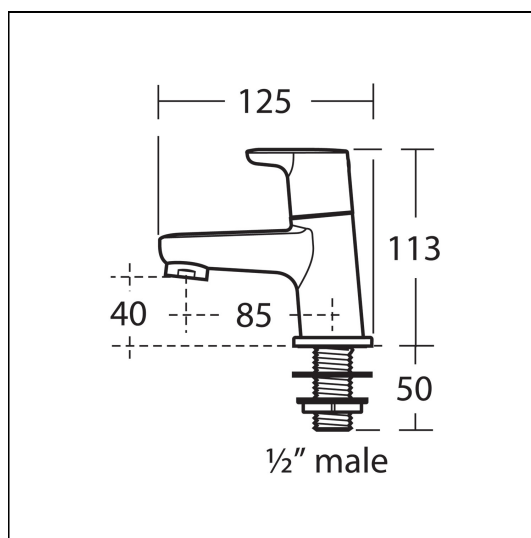
B9925 5 Litres per minute @ 3 bar pressure

Designer

Robin Levien, RDI

Special Notes

Suitable for balanced/unbalanced supplies. Inlets 1/2in BSP male coned for copper. Pillar taps come supplied with brass back nuts. When installed in commercial applications, A5900AA a 15mm thermostatic blending valve must be used. Flow rate with fitted regulator 5 litres per minute. Unregulated flow rate 8.2 litres per minute at 0.1 bar.



ACCREDITATIONS

B9925(AA)

Unified Water Label   5.00 Litres Per Minute



1906083