

Concept Bath Filler 2 Hole Dual Control

ILLUSTRATED

B9929 Concept bath filler 2 hole dual control

ILLUSTRATED PRODUCT DETAILS

Weights

B9929 2.64 KG

Finishes

B9929  Chrome (AA)

Materials

B9929 Chrome Plated Brass

Flow rates

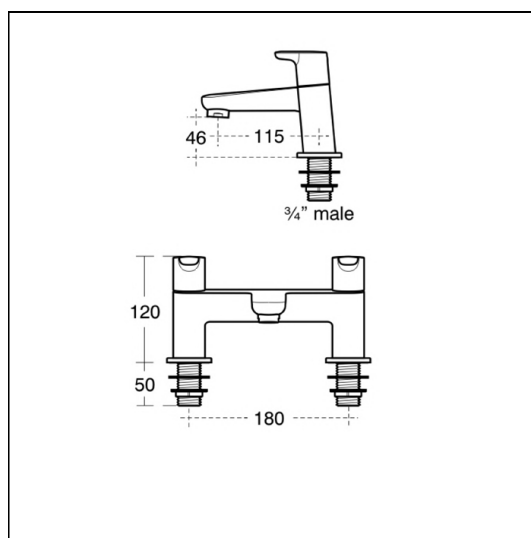
B9929 80 Litres per minute @ 3 bar pressure

Designer

Robin Levien, RDI

Special Notes

Inlets screwed 3/4in BSP male, coned for 22mm copper. When installed in commercial applications A5901AA a 22mm thermostatic blending valve must be used. Unregulated flow rate 14.5 litres per minute at 0.1 bar.



ACCREDITATIONS



1605026