

Concept Freedom Back-to-wall Raised Height WC Pan

ILLUSTRATED

- E6088** Concept Freedom back-to-wall raised height WC pan
- S3624** Conceala 2 cistern 6/4 litre dual flush valve top inlet and internal overflow, alternative height plastic flushbends
- E7917** Concept, seat and cover, slow close

OPTIONS

- E7918** Concept, seat and cover
- K7060** Concept seat no cover
- E7726** Concept, slim seat and cover, slow close
- E7725** Concept, slim seat and cover

ILLUSTRATED PRODUCT DETAILS

Weights

- E6088** 32.70 KG
- S3624** 3.00 KG
- E7917** 2.30 KG

Materials

- E6088** Vitreous China
- S3624** Plastic
- E7917** Plastic

Finishes

- E6088** White (01)
- S3624** Neutral / No Finish (67)
- E7917** White (01)

Capacity

- S3624** 6 litres

Designer

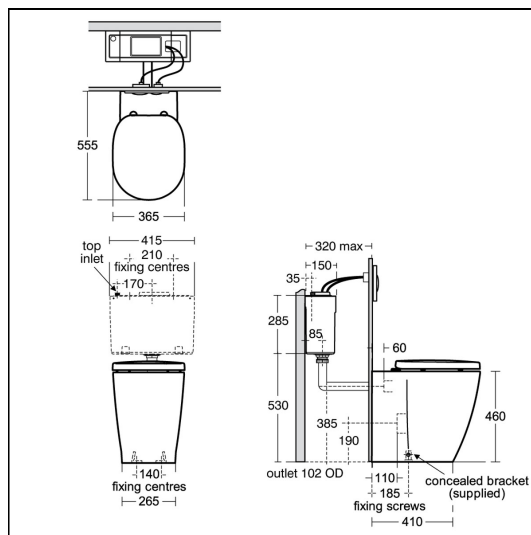
Robin Levien, RDI

Standards

Vitreous china to BS EN 997 and BS EN 33

Special Notes

WC screwed to floor using concealed brackets (supplied). Joint to wall sealed with waterproof sealant (not supplied). The WC bowl should not be installed with a lever activated cistern fitted with syphon.



FEATURES

