

# Altes NT1 Electronic (proximity) Ceramic Dual Flushplate

## ILLUSTRATED

- R0130** Altes NT1 electronic (proximity) ceramic dual flushplate Ideal Standard - black
- R0158** ProSys electronic conversion kit for proximity actuated flushplates (Altes & Symfo) (120 depth frames and cisterns only)

## OPTIONS

- R0153** ProSys 1150mm height, mechanical wall hung WC frame, 120 depth, front actuation
- R0317** ProSys 120 depth WC cistern, mechanical, front actuation

## ILLUSTRATED PRODUCT DETAILS



### Weights

- R0130** 5.79 KG
- R0158** 0.08 KG

### Materials

- R0130** Ceramic
- R0158** Mixed Material

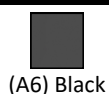
### Finishes

- R0130**  White (AC)
- R0158**  Neutral / No Finish (67)

### Designer

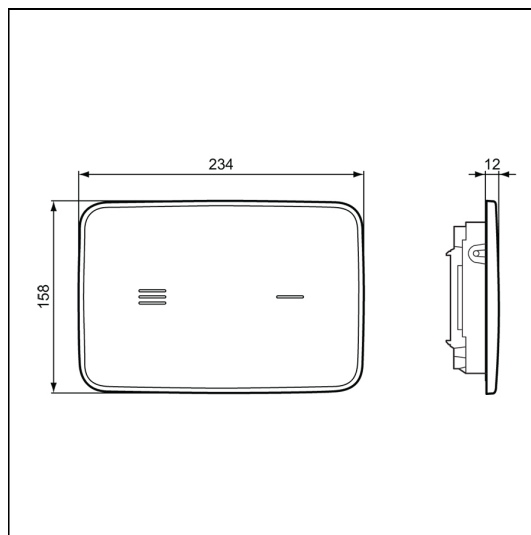
Palomba Serafini Associati

## FINISH OPTIONS



### Special Notes

For use with ProSys 120 Depth mechanical actuation WC frames and cisterns. Also needs an proximity electronic conversion kit, R015867).



## FEATURES

