

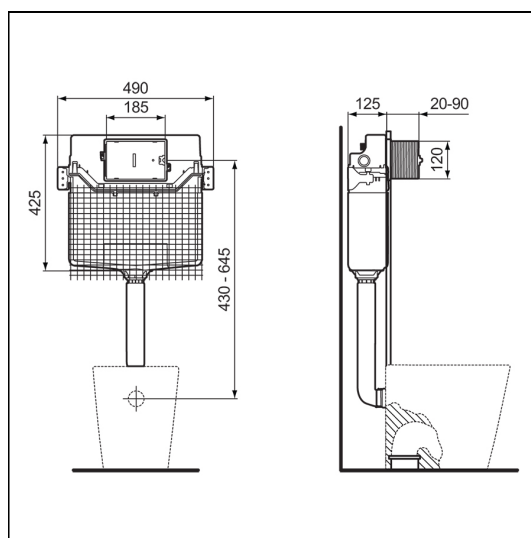
ProSys 120 depth WC cistern, pneumatic

ILLUSTRATED

- R0318** ProSys 120 depth WC cistern, pneumatic, front actuation
- R0116** Oleas P1 pneumatic dual flushplate Ideal Standard - chrome

OPTIONS

- R0119** Oleas P2 pneumatic dual flushplate Ideal Standard - white
- S0857** Oleas P2 pneumatic dual flushplate Armitage Shanks - chrome
- R0124** Oleas P3 pneumatic dual flushplate Ideal Standard - white
- R0110** Solea P2 pneumatic dual flushplate Ideal Standard - white
- S0775** Septa Pro P1 pneumatic metal dual flushplate Armitage Shanks
- S0860** Septa Pro P2 pneumatic metal dual small flushplate Armitage Shanks
- S0776** Speta Pro P3 pneumatic metal single small flushplate Armitage Shanks
- R0136** Septa Pro P4 pneumatic metal dual small flushplate with raised adjustable buttons
- P0109** Septa Pro XS pneumatic push button no logo - chrome
- R0184** Septa Pro XS pneumatic push button, no logo
- S0772** Septa Pro E1 electronic (infrared) & manual metal dual flushplate Armitage Shanks
- S0773** Septa Pro E2 electronic (infrared) metal dual flushplate Armitage Shanks
- R0130** Altes NT1 electronic (proximity) ceramic dual flushplate Ideal Standard - white
- R0129** Symfo NT1 electronic (proximity) glass dual flushplate Ideal Standard - white
- R0158** ProSys electronic conversion kit for proximity actuated flushplates (Altes & Symfo) (120 depth frames and cisterns only)
- R0137** Septa Pro inspection plate white
- R0099** ProSys electronic conversion kit for infra-red actuated flushplates (Septa Pro E1 & E2) (120 depth frames and cisterns only)



ILLUSTRATED PRODUCT DETAILS

Weights

- R0318** 2.92 KG
- R0116** 0.38 KG

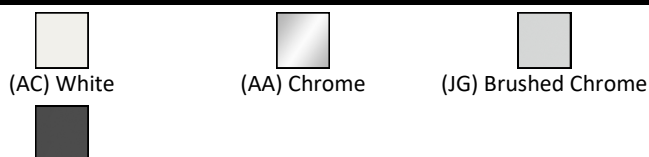
Materials

- R0318** Mixed Material
- R0116** Mixed Material

Finishes

- R0318** Neutral / No Finish (67)
- R0116** White (AC)

FINISH OPTIONS



ACCREDITATIONS



FEATURES



ProSys 120 depth WC cistern, pneumatic

(A6) Black

Special Notes

Suitable for use with BTW & Wall hung WC bowls at 6/4 or 4.5/3 litre dual flush. For use with Oleas, Solea and Septa Pro pneumatic flushplates or Altes/Symfo or Septa Pro electronic plates with the appropriate conversion kit.