

Septa Pro M1 mechanical metal dual flushplate

ILLUSTRATED

S0858 Septa Pro M1 mechanical metal dual flushplate Armitage Shanks

OPTIONS

- R0140** ProSys 820mm height, mechanical wall hung WC frame, 150 depth, front or top actuation
- R0153** ProSys 1150mm height, mechanical wall hung WC frame, 120 depth, front actuation
- R0101** ProSys freestanding half frame for wall hung WC pans (no cistern)
- R0142** ProSys 150 depth wc cistern, mechanical front or top actuation
- R0317** ProSys 120 depth WC cistern, mechanical, front actuation

ILLUSTRATED PRODUCT DETAILS

Weights

S0858 1.02 KG

Finishes

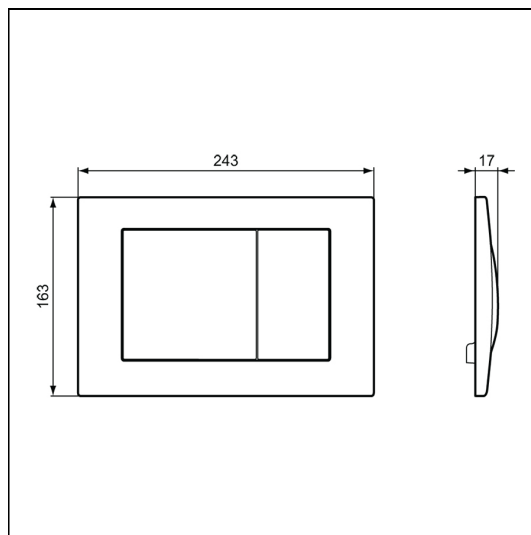
S0858  Chrome (AA)

Materials

S0858 Metal

Special Notes

For use with ProSys mechanical actuation WC frames and cisterns.



FEATURES

