

Denholm 2 Stainless Steel 46cm Washbasin, RH Taphole No Overflow Or Chainstay Hole

ILLUSTRATED

- S2626** Denholm 2 stainless steel 46cm washbasin with right hand taphole, no overflow or chainstay hole
- B8861** Avon 21 1 hole washbasin mixer, self closing push button, variable temperature with copper tube inlets. Flow regulated to 4.7 litres per minute maximum.
- S8734** Waste 1¼" brass swivel plug waste, 80mm unslotted tail
- S8920** Trap 1¼" plastic resealing bottle, 75mm seal, multi-purpose outlet

OPTIONS

- A5900** TMV thermostatic mixing valve, 15mm
- S2992** Denholm 2 washbasin shroud stainless steel for surface fixing with access panel
- S2993** Denholm 2 washbasin shroud stainless steel for duct fixing with access panel



ILLUSTRATED PRODUCT DETAILS

Sizes

S2626 w:46 x d:34

Weights

S2626 3.80 KG

B8861 2.45 KG

S8734 0.35 KG

S8920 2.00 KG

Materials


S2626 Stainless Steel

B8861 Chrome Plated Brass

S8734 Chrome Plated Metal

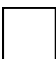
S8920 Plastic

Finishes

S2626  Stainless Steel finish (MY)

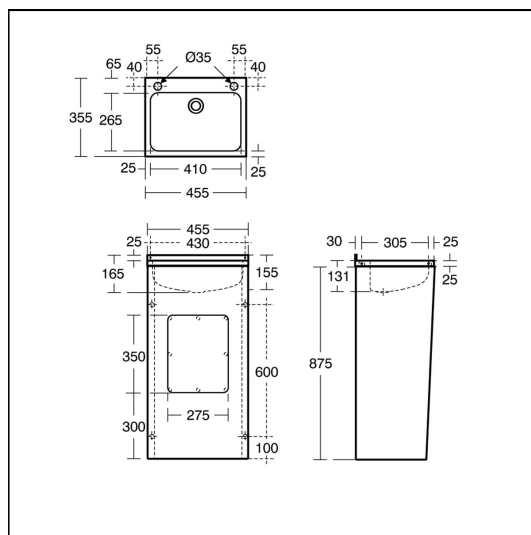
B8861  Chrome (AA)

S8734  Chrome (AA)

S8920  Neutral / No Finish (67)

Flow rates

B8861 4.7 Litres per minute @ 3 bar pressure



Standards

Steel sheet conforms to BS EN 10088:Part2:2005

Material 1.4301 (304) - 0.9mm

Special Notes

Earthing tag and brackets included please specify the type of shroud.

Consideration should be given to safe hot water delivery and the use of an appropriate temperature reduction device

ACCREDITATIONS

B8861(AA)

Unified Water Label



4.70

Litres Per Minute