

Trevi CTV built-in thermostatic shower valve

ILLUSTRATED

A3102 CTV built-in concentric thermostatic shower mixer

ILLUSTRATED PRODUCT DETAILS

Weights

A3102 2.60 KG

Finishes

A3102  Chrome (AA)

Materials

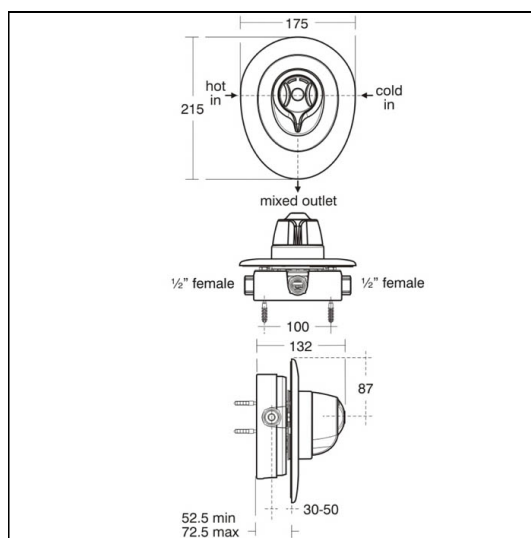
A3102 Chrome Plated Brass

Flow rates

A3102 7.5 Litres per minute @ 3 bar pressure

Special Notes

Operating pressures from 0.1 to 5.0 bar. Suitable for rising or falling supplies. Inlets and outlet screwed 1/2in BSP male. Flow rate 7.5 litres per minute at 0.1 bar.



ACCREDITATIONS



FEATURES

