

# Studio Handrinse Washbasin, 35cm 2 Taphole, Chainstay Hole & Overflow

## ILLUSTRATED

- E1170** Studio 35cm washbasin, 2 corner tapholes with overflow and chainstay hole
- B0349** Alto washbasin pillar taps.
- E6760** Waste 1¼" brass waste with chain and plug, 80mm slotted tail, bolt stay
- S8900** Trap 1¼" metal bottle, 75mm seal, outlet screwed 1¼" BSP male with compression nut and ring
- E5010** Pair Steel Wall Hangers

## OPTIONS

- BC184** Ceraline basin pillar taps
- B1146** Calista basin pillar taps 1/2" (pair)
- A5900** TMV thermostatic mixing valve, 15mm



## ILLUSTRATED PRODUCT DETAILS

### Sizes

**E1170** w:350 x d:250






### Weights

- E1170** 4.59 KG
- B0349** 1.00 KG
- E6760** 0.28 KG
- S8900** 0.54 KG
- E5010** 0.10 KG

### Materials

- E1170** Vitreous China
- B0349** Chrome Plated Brass
- E6760** Chrome Plated Metal
- S8900** Chrome Plated Metal
- E5010** Metal

### Finishes

- E1170**  White (01)
- B0349**  Chrome (AA)
- E6760**  Chrome (AA)
- S8900**  Chrome (AA)
- E5010**  Neutral / No Finish (67)

### Capacity

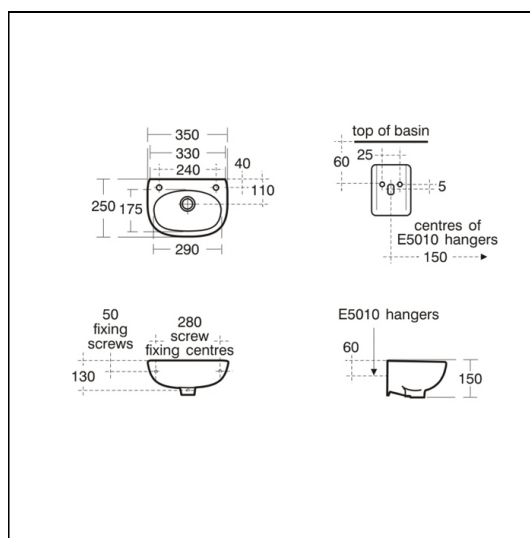
**E1170** 1.5 litres

### Flow rates

**B0349** 4 Litres per minute @ 3 bar pressure

### Designer

Robin Levien, RDI



## FINISH OPTIONS



(AZ) Light Gold Finish

(AA) Chrome

### Standards

Vitreous china to BS 3402

### Special Notes

Wall mounted using E5010 wall hangers and screwed to wall using 2 screws (not supplied).