

Prosys 150 depth WC cistern, pneumatic

ILLUSTRATED

- R0316** Prosys 150 depth WC cistern, pneumatic front or top actuation
- R0116** Oleas P1 pneumatic dual flushplate Ideal Standard - chrome

OPTIONS



- R0119** Oleas P2 pneumatic dual flushplate Ideal Standard - white
- S0857** Oleas P2 pneumatic dual flushplate Armitage Shanks - chrome
- R0124** Oleas P3 pneumatic dual flushplate Ideal Standard - white
- R0110** Solea P2 pneumatic single flushplate Ideal Standard - white
- S0775** Septa Pro P1 pneumatic metal dual flushplate Armitage Shanks
- S0860** Septa Pro P2 pneumatic metal dual small flushplate Armitage Shanks
- S0776** Septa Pro P3 pneumatic metal single small flushplate Armitage Shanks
- R0136** Septa Pro P4 pneumatic metal dual small flushplate with raised adjustable buttons
- P0109** Septa Pro XS pneumatic push button no logo - chrome

ILLUSTRATED PRODUCT DETAILS

Weights

- R0316** 2.96 KG
- R0116** 0.38 KG

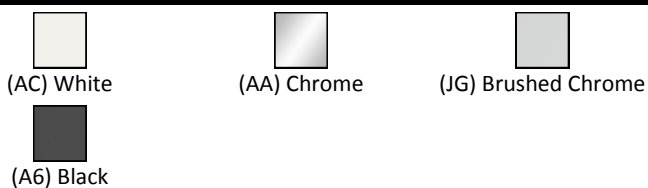
Finishes

- R0316**  Neutral / No Finish (67)
- R0116**  White (AC)

Materials

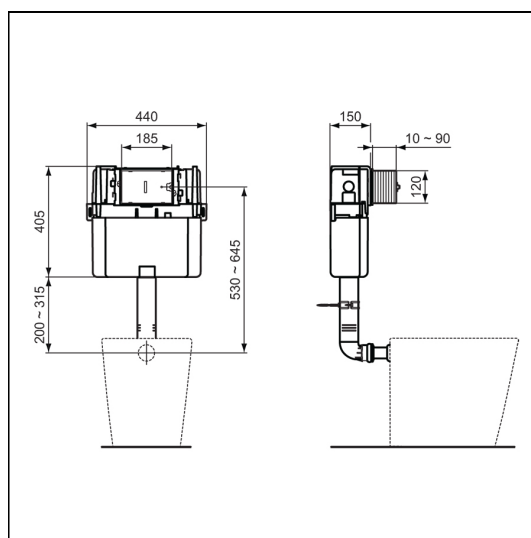
- R0316** Mixed Material
- R0116** Mixed Material

FINISH OPTIONS



Special Notes

Suitable for use with BTW & Wall hung WC bowls at 6 litre dual flush. The valve can be adjusted to 4.5 litre low volume flushing with appropriate WCs. For use with Oleas, Solea and Septa Pro pneumatic flushplates. Not suitable for electronic actuation flushplates. **IMPORTANT**-Minimum height requirement to top of cistern-955mm



ACCREDITATIONS

FEATURES

