

Calder Washing Trough, 120cm Central Outlet Domed 2in Waste Tapholes For 2 Mixers

ILLUSTRATED

- S2824** Calder stainless steel washing trough 120cm long 2 taphole positions, central outlet with 2" domed waste
- B8861** Avon 21 1 hole washbasin mixer, self closing push button, variable temperature with copper tube inlets. Flow regulated to 4.7 litres per minute maximum.
- A5900** TMV thermostatic mixing valve, 15mm

OPTIONS

- B8260** Piccolo 21 washbasin 1 hole single lever mixer, no waste, 4.7 litres per minute laminar flow regulator, anti-vandal outlet, optional flow straightener, flexible tails
- A6697** Contour 21+ 1 hole thermostatic basin mixer, single sequential lever with copper tails



ILLUSTRATED PRODUCT DETAILS

Sizes

S2824 l:1200

Weights

S2824 11.60 KG

B8861 2.45 KG

A5900 0.60 KG


Materials

S2824 Stainless Steel

B8861 Chrome Plated Brass

A5900 Chrome Plated Metal

Finishes

S2824  Stainless Steel finish (MY)

B8861  Chrome (AA)

A5900  Chrome (AA)

Flow rates

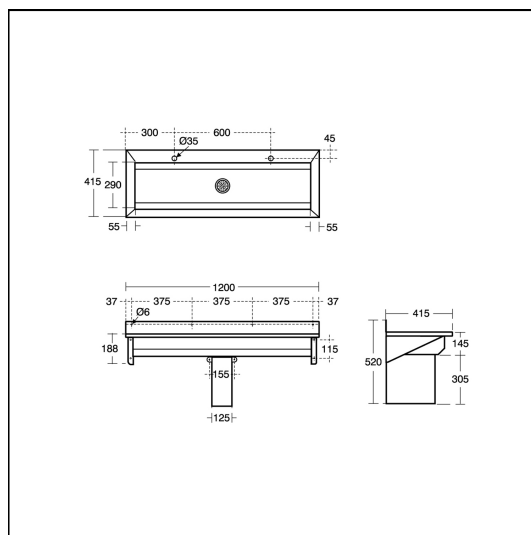
B8861 4.7 Litres per minute @ 3 bar pressure

Standards

Stainless steel sheet to BS EN 10088:Part 2:2005

Special Notes

Consideration should be given to safe hot water delivery and the use of an appropriate temperature reduction device see A5900AA



FEATURES

