

Markwik 1/2in High Neck Pillar Taps H & C

ILLUSTRATED

S8265 (TP 3) Markwik 1/2" high neck pillar taps

ILLUSTRATED PRODUCT DETAILS

Weights

S8265 2.29 KG

Finishes

S8265  Chrome (AA)

Materials

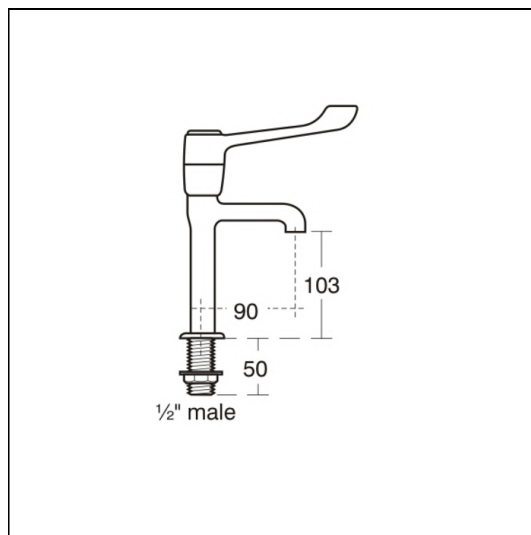
S8265 Chrome Plated Brass

Standards

BS 5412: 1996, BS EN 200 Functional Standard

Special Notes

Inlets screwed 1/2in BSP male. For use in connection with domestic services procedures.



ACCREDITATIONS



FEATURES

